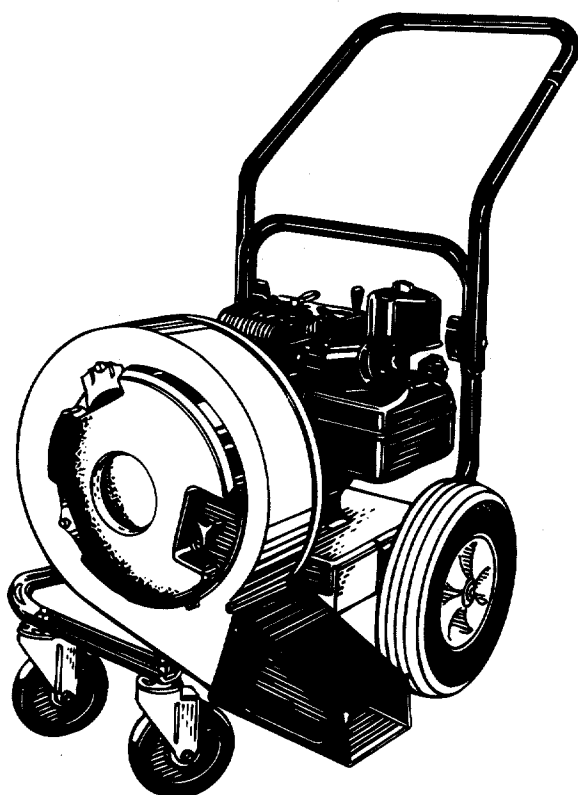


OWNER'S GUIDE

• ASSEMBLY • OPERATION • MAINTENANCE •



LEAF BLOWERS

Model Numbers
692 and 693

IMPORTANT!

Record the **Model No.** and **Mfg. Code** which appear on your unit in the space below. You **must** have these numbers, along with the date of purchase, in order to receive warranty or service.

MODEL NO.

MFG. CODE

**Important:
Read Safety Rules
and Instructions Carefully**



Made
in
AMERICA


WARNING: This unit is equipped with an internal combustion engine and should not be used on or near any unimproved forest-covered, brush-covered or grass-covered land unless the engine's exhaust system is equipped with a spark arrester meeting applicable local or state laws (if any). If a spark arrester is used, it should be maintained in effective working order by the operator.

In the State of California the above is required by law (Section 4442 of the California Public Resources Code). Other states may have similar laws. Federal laws apply on federal lands. A spark arrester for the muffler is available through your nearest engine authorized service dealer or contact the service department, P.O. Box 368022, Cleveland, Ohio 44136-9722.

IMPORTANT

RULES FOR SAFE OPERATION



THIS SYMBOL POINTS OUT IMPORTANT SAFETY INSTRUCTIONS WHICH, IF NOT FOLLOWED, COULD ENDANGER THE PERSONAL SAFETY AND/OR PROPERTY OF YOURSELF AND OTHERS. READ AND FOLLOW ALL INSTRUCTIONS IN THIS MANUAL BEFORE ATTEMPTING TO OPERATE YOUR POWER LEAF BLOWER. FAILURE TO COMPLY WITH THESE INSTRUCTIONS MAY RESULT IN PERSONAL INJURY. WHEN YOU SEE THIS SYMBOL—  **HEED ITS WARNING.**



DANGER:

Your power leaf blower was built to be operated according to the rules for safe operation in this manual. As with any type of power equipment, carelessness or error on the part of the operator can result in serious injury. If you violate any of these rules, you may cause serious injury to yourself or others.

1. Read this operating and service instruction manual carefully. Be thoroughly familiar with the controls and proper use of the power leaf blower.
2. Never allow children to operate this power leaf blower.
3. Keep the area of operation clear of all persons, particularly small children and pets.
4. Check fuel before starting engine. Do not fill fuel tank indoors, when engine is running, or while engine is hot. Wipe off any spilled fuel before starting engine.
5. Do not change engine governor settings.
6. Do not put hands near rotating parts for any reason.
7. If the power leaf blower should start to vibrate abnormally, stop the engine and check immediately for the cause. Vibration is generally a warning of trouble.
8. Before cleaning, repairing or inspecting, make certain all moving parts have come to a complete stop. Disconnect spark plug wire and keep wire away from plug to prevent accidental starting. Also keep throttle control lever in the stop position.
9. If the power leaf blower should become blocked with debris at any point, shut engine off and wait until the impeller comes to a complete stop before attempting to remove the obstruction. Disconnect spark plug wire to prevent accidental starting.
10. Check all bolts for tightness at frequent periods.
11. Never store this power leaf blower with fuel in the tank. Allow engine to cool before storing in any enclosure.
12. Keep bag and equipment free of debris when not in use.
13. Never operate this power leaf blower unless impeller guard and guard assembly are properly affixed in their places.
14. Never change inlet nozzle or auxiliary hose attachment when engine is running.
15. The manufacturer recommends that the operator wear safety glasses or some other suitable eye protection when operating this machine.
16. Exercise caution whenever operating leaf blower. Do not allow discharge to be pointed in the direction of persons.
17. No one should operate this unit while intoxicated or while taking medication that impairs the senses or reactions.

UNPACKING

Remove the leaf blower, hardware pack, loose parts and all literature from the carton before discarding carton.

CONTENTS OF HARDWARE PACK

(See Figure 1)

- A (2) Carriage Bolts
- B (2) Hand Knobs
- C (2) Hex Sems Bolts

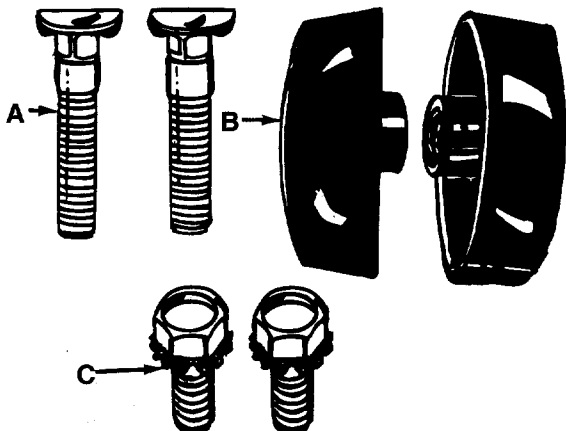


FIGURE 1.

PARTS IN CARTON

(See Figure 2)

- D (1) Upper Handle
- E (1) Directional Discharge

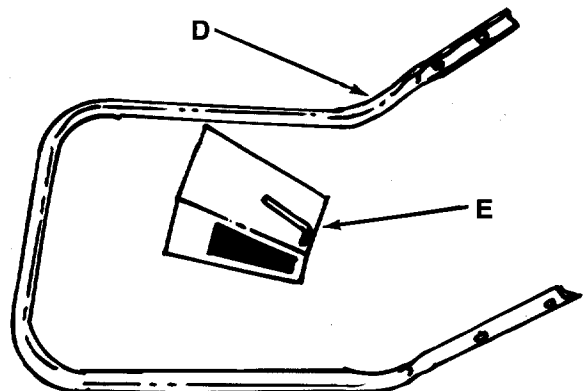


FIGURE 2.

ASSEMBLY INSTRUCTIONS

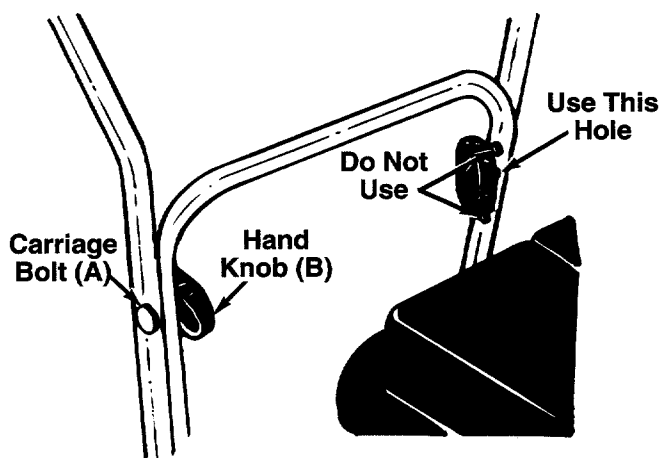


FIGURE 3.

IMPORTANT: This unit is shipped **WITHOUT GASOLINE** or **OIL**. After assembly, service engine with gasoline and oil as instructed in the separate engine manual packed with your unit.

NOTE: Reference to right or left hand side of the leaf blower is observed from behind the unit in the operating position.

ATTACHING THE UPPER HANDLE

Place the upper handle (D) over the lower handle, lining up the holes in the upper handle with the **middle** holes in lower handle. Secure with carriage bolts (A) ← and hand knobs (B). See figure 3.

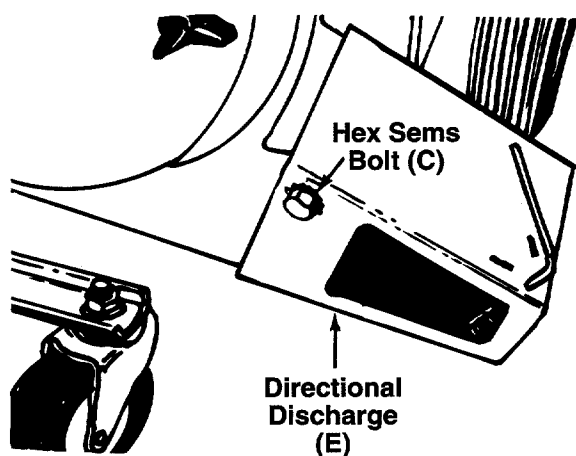


FIGURE 4.

ATTACHING THE DIRECTIONAL DISCHARGE

Slip end of directional discharge (E) over chute opening. Secure in position with hex sems bolts (C). See ← figure 4.

OPERATION

BEFORE STARTING ENGINE

Service engine with gas and oil. See engine manual packed with leaf blower for complete instructions for care and maintenance of engine. **Read directions carefully.**



WARNING: Revolving blades — keep hands away from all openings.

TO START ENGINE

After the engine has been properly fueled and oiled (refer to engine operating and maintenance instructions), start engine as follows.

1. Move choke lever on engine to **CHOKE** position. (A warm engine may not require choking.)
2. Move throttle control lever on engine to **FAST** position.
3. Grasp starter handle and pull rope out slowly until engine reaches start of compression cycle (rope will pull slightly harder at this point). Let the rope rewind slowly.
4. Pull rope with a rapid, continuous, full arm stroke. Keep a firm grip on starter handle. Let rope rewind slowly. Do not let starter handle snap back against starter.
5. Repeat instructions 3 and 4 until engine fires. When engine starts, move choke control gradually to **RUN** position.

TO STOP ENGINE

1. To stop engine, move throttle control lever to OFF position.
2. Disconnect spark plug wire and ground to prevent accidental starting while equipment is unattended.

ADJUSTMENTS



WARNING: Do not at any time make any adjustment to the unit without first stopping engine and disconnecting spark plug wire.

TWO-WAY DISCHARGE

The leaf blower can be adjusted to discharge toward the front of the unit or to the side. Simply push down on the handle and swing door toward the front to discharge out the side, or to the side to discharge out the front. See figure 5.

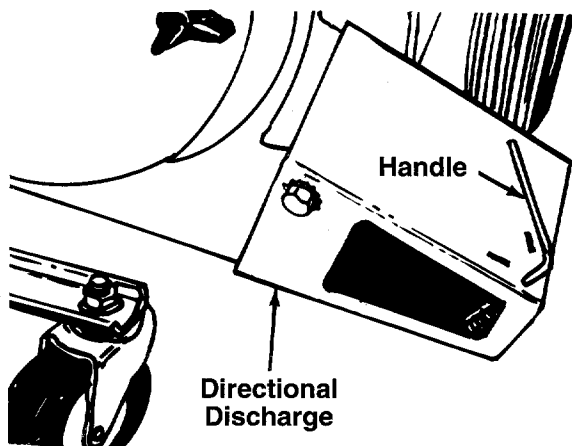


FIGURE 5.

HEIGHT ADJUSTMENT

The height adjustment crank is located on the right hand side of the leaf blower. See figure 6. Turn the crank clockwise to raise the discharge chute. Turn the crank counterclockwise to lower.

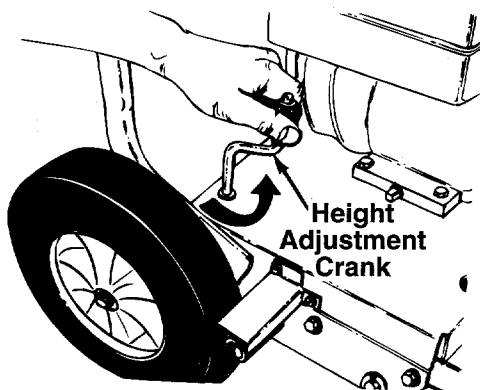


FIGURE 6.

CARBURETOR ADJUSTMENT



WARNING: If any adjustments are made to the engine while the engine is running (e.g. carburetor), keep clear of all moving parts. Be careful of heated surfaces and muffler.

Minor carburetor adjustment may be required to compensate for differences in fuel, temperature, altitude or load.

NOTE: A dirty air cleaner will cause engine to run rough. Be certain air cleaner is clean and attached to the carburetor before adjusting carburetor.

Do not make unnecessary adjustments. Factory settings are satisfactory for most applications and conditions. If adjustment is needed, refer to the separate engine manual packed with your leaf blower.

MAINTENANCE



WARNING: Always stop engine and disconnect spark plug wire before cleaning, lubricating or performing any repairs or maintenance.

LUBRICATION

Wheels—Rear wheels are provided with light oil bearings. Place a few drops of SAE 30 oil on each bearing once a season.

Directional Discharge—Lubricate the spring and the pivot point on the door mechanism at least once a season with light oil.

ENGINE

Refer to the separate engine manual for engine maintenance instructions.

Maintain **engine oil** as instructed in the separate engine manual packed with your unit. Read and follow instructions carefully.

Service **air cleaner** every 25 hours under normal conditions. Clean every few hours under extremely dusty conditions. Poor engine performance and flooding usually indicates that the air cleaner should be serviced. To service the air cleaner, refer to the separate engine manual packed with your unit.

The **spark plug** should be cleaned and the gap reset once a season. Spark plug replacement is recommended at the start of each season; check engine manual for correct plug type and gap specifications.

Clean the engine regularly with a cloth or brush. Keep the cooling system (blower housing area) clean to permit proper air circulation which is essential to engine performance and life. Be certain to remove all dirt and combustible debris from muffler area.

OFF-SEASON STORAGE

The following steps should be taken to prepare your leaf blower for storage.

1. Clean and lubricate the vacuum thoroughly as described in the lubrication instructions.
2. Refer to engine manual for correct engine storage instructions.
3. If storing in an unventilated or metal storage shed, coat metal parts with a light oil or silicone to prevent rust.
4. Store in a dry, clean area. Do not store next to corrosive materials, such as fertilizer.

OPTIONAL EQUIPMENT

Hose Attachment Kit Model 290-204-000 is available as optional equipment. See figure 7.

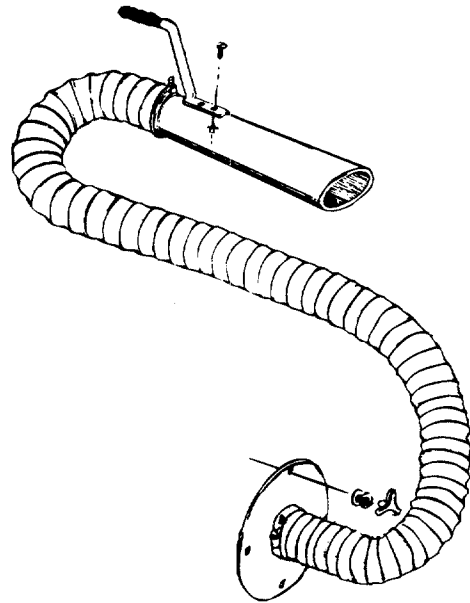


FIGURE 7.—Model 290-204-000

TROUBLE SHOOTING

PROBLEM	POSSIBLE CAUSE(S)	CORRECTIVE ACTION
Engine fails to start	<ol style="list-style-type: none"> 1. Fuel tank empty, or stale fuel. 2. Spark plug wire disconnected. 3. Faulty spark plug. 	<ol style="list-style-type: none"> 1. Fill tank with clean, fresh fuel. 2. Connect wire to spark plug. 3. Clean, adjust gap or replace.
Loss of power; operation erratic	<ol style="list-style-type: none"> 1. Spark plug wire loose. 2. Unit running on CHOKE. 3. Blocked fuel line (if so equipped) or stale fuel. 4. Water or dirt in fuel system 5. Carburetor out of adjustment. 6. Dirty air cleaner. 	<ol style="list-style-type: none"> 1. Connect and tighten spark plug wire. 2. Move choke lever to OFF position. 3. Clean fuel line; fill tank with clean fresh gasoline. 4. Disconnect fuel line at carburetor to drain fuel tank. Refill with fresh fuel. 5. Adjust carburetor. †
Engine overheats	<ol style="list-style-type: none"> 1. Carburetor not adjusted properly. 2. Engine oil level low. 	<ol style="list-style-type: none"> 1. Adjust carburetor. † 2. Fill crankcase with proper oil.
Too much vibration	Loose parts or damaged crankshaft.	Stop engine immediately and disconnect spark plug wire. Tighten all bolts and nuts. Make all necessary repairs. If vibration continues, have unit serviced by an authorized service dealer.
Unit does not discharge	<ol style="list-style-type: none"> 1. Directional discharge clogged. 2. Foreign object lodged in air vane plate assembly. 	<ol style="list-style-type: none"> 1. Stop engine immediately and disconnect spark plug wire. Clean directional discharge. 2. Stop engine immediately and disconnect spark plug wire. Remove lodged object.

†Refer to the engine manual packed with your unit.

NOTE: For repairs beyond the minor adjustments listed above, please contact your nearest authorized service dealer.

Model No.	692	693
Air Filter Element	491588	33268
Foam Pre-Cleaner	491435	—
Spark Plug	J19LM	J-8C
Engine Oil (SAE 30)	100005 (21 oz. req'd.)	100005 (26 oz. req'd.)
Hose Kit (Optional)	290-204-000	290-204-000

The only way to insure the performance of your product is to use original equipment parts and accessories, which are designed and engineered to exacting specifications. When you substitute, you take a chance on quality, reliability, safety and performance. Use original equipment parts—See your local service dealer.

For Replacement Parts, Contact:
SERVICE DEPARTMENT • P.O. BOX 368022 • CLEVELAND, OHIO 44136-9722